

## PRODUCT DATASHEET

### Fine workmanship Die-cast aluminum Linear Light HYD-T19-40W 3000K



---

### Application

- Office
- School
- Corridor
- Meeting room
- Shop

---

### Benefits

- Flicker free
- Brand driven, high stability, safe and efficient
- Linear lamp body to achieve geometric design, free splicing, decorating space
- High-brightness LED lamp beads, combined with the heat-dissipating aluminum lamp body, it can reduce light decay and extend the service life

---

### Features

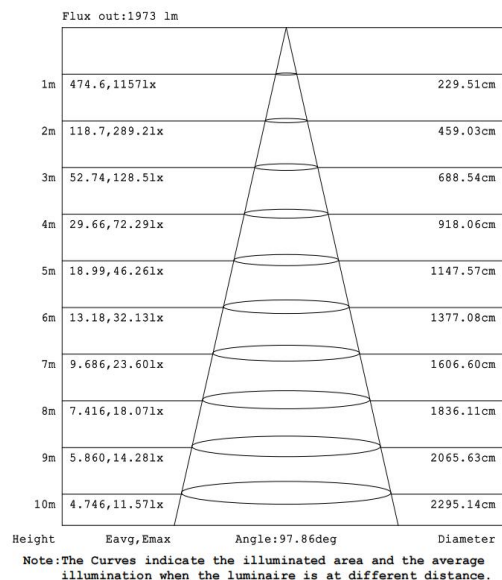
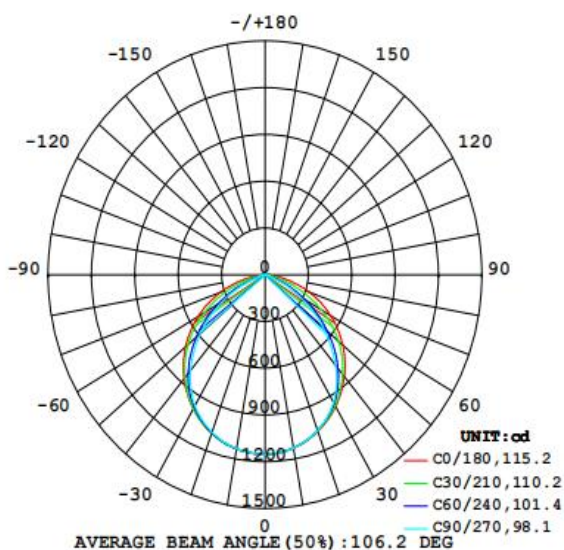
- Clear PC Lenses
- Warranty 5 years
- Easy and quick installation
- Die-cast aluminum body for better heat dissipation, anti-corrosion

### Electrical Data

Nominal wattage (W)	<b>40W</b>
Nominal Voltage (V)	220-240 V
Mains Frequency (Hz)	50/60 Hz
Nominal Current (mA)	175
LED Driver Current (mA)	1050
LED Driver Voltage (Vdc)	15-38
LED Driver Efficiency (%)	90%
Power Factor $\lambda$	0.95
Total harmonic distortion (%)	<10%
Operating mode	Built in LED driver

### Photometrical data

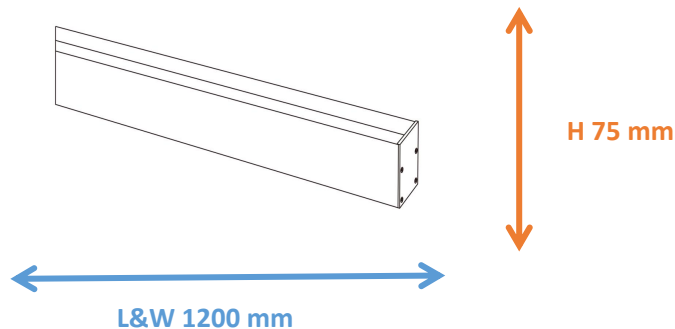
Luminous flux $\pm 10\%$ (lm)	2906 lm
Luminous efficacy	74 lm/w
Color temperature	<b>3000K</b>
Light color (designation)	Warm White
Color rendering index Ra	$\geq 80$
Standard deviation of color matching	$\leq 5$ SDCM
Luminous intensity/cd	1152
Flickering	Flicker free
Beam angle	106 °



**3000K**

### Dimensions & Weight

Length&Width (mm)	1200*50
Height (mm)	75
Product weight (g)	1752



### Material & Colors

Product color	All White
Housing color	White
Body material	Aluminum
Cover material	PC
Reflector color	White
Mercury content	0.0 mg

### Application & Mounting

Ambient temperature range	-10°C - +40 °C
Temperature range at storage	-10°C - +40 °C
Type of connection	Screw terminal
Type of protection	IP20
Dimmable	No
Mounting type	Surface mounted
Mounting location	Ceiling
Application environment	Indoor
Cut size (mm)	No
LED module replaceable	Not replaceable
With light source	Yes

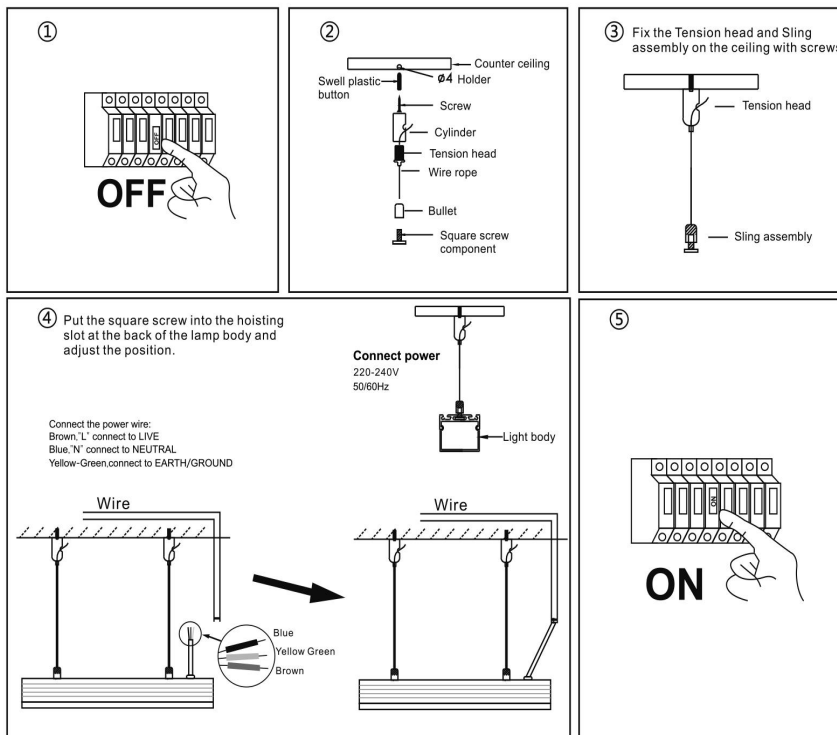
## Certificates & Lifespan

Life (h)	50,000
Certificates	CB CE LVD EMC
Standards	ISO9001:2015

## Logistical Data

Product code	Dimensions (L*W*H)	Pcs/ carton	G.W. kg	Volume CBM
HYD-T19-40W	126*19*32.5 cm	10	...	0.07781

## Installation Method



## Disclaimer

Subject to change without notice. Errors and omission excepted. Always make sure to use the most recent release.